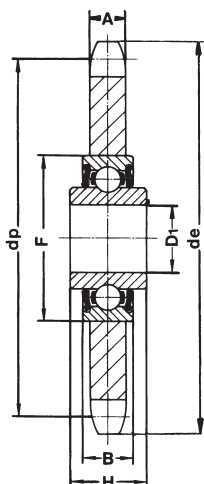




PIGNONI TENDICATENA

Pignoni tendicatena completi di cuscinetto



Z	Passo	d _e	dp	A	D1	F	B	H
23	8 x 3	62.15	58.75	2.8	16 ^{+0.26} _{-0.13}	40	12	18.3
21	3/8" x 7/32"	68.00	63.90	5.3	16 ^{+0.26} _{-0.13}	40	12	18.3
22	3/8" x 7/32"	71.00	66.93	5.3	16 ^{+0.26} _{-0.13}	40	12	18.3
18	1/2" x 1/8"	78.90	73.14	3.0	16 ^{+0.26} _{-0.13}	40	12	18.3
15	1/2" x 3/16"	66.80	61.09	4.5	16 ^{+0.26} _{-0.13}	40	12	18.3
16	1/2" x 3/16"	70.90	65.10	4.5	16 ^{+0.26} _{-0.13}	40	12	18.3
18	1/2" x 3/16"	78.90	73.13	4.5	16 ^{+0.26} _{-0.13}	40	12	18.3
14	1/2" x 5/16"	61.80	57.07	7.2	16 ^{+0.26} _{-0.13}	40	12	18.3
16	1/2" x 5/16"	69.50	65.10	7.2	16 ^{+0.26} _{-0.13}	40	12	18.3
18	1/2" x 5/16"	77.80	73.14	7.2	16 ^{+0.26} _{-0.13}	40	12	18.3
14	5/8" x 3/8"	78.00	71.34	9.1	16 ^{+0.26} _{-0.13}	40	12	18.3
15	5/8" x 3/8"	83.00	76.36	9.1	16 ^{+0.26} _{-0.13}	40	12	18.3
17	5/8" x 3/8"	93.00	86.39	9.1	16 ^{+0.26} _{-0.13}	40	12	18.3
13	3/4" x 7/16"	87.50	79.59	11.1	16 ^{+0.26} _{-0.13}	40	12	18.3
15	3/4" x 7/16"	99.80	91.63	11.1	16 ^{+0.26} _{-0.13}	40	12	18.3
12	1" x 17.02	109.00	98.14	16.2	20 ⁺⁰ _{-0.1}	47	14	17.7
13	1" 1/4 x 3/4"	147.80	132.65	18.5	25 ⁺⁰ _{-0.1}	52	15	21.0

I ns. tendicatena sono completi di cuscinetto, pronti al montaggio in particolari punti di tensione oppure di rinvio. L'accurata lavorazione ed il montaggio stabile su di un cuscinetto a sfere, a doppio schermo di protezione, permettono una maggiore resistenza ai carichi ed all'usura. L'anello centrale del cuscinetto "allungato", permette un facile montaggio su macchinari speciali di ogni tipo.



PIGNONI TENDICATENA

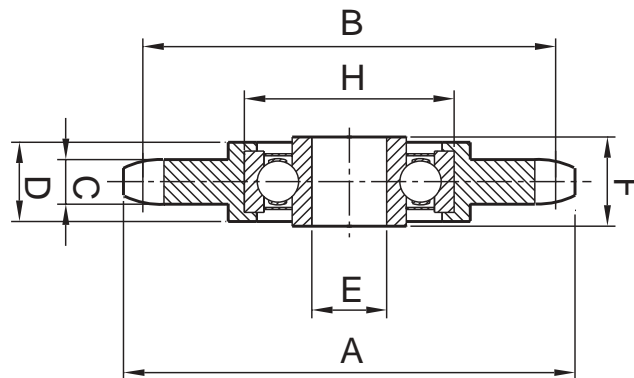
in Nylon 6÷30% FV completi di cuscinetto

CHAIN TIGHTENER sprockets with bearing in Nylon 6÷30% GF

KETTENSPELLNER mit Kugellager aus Nylon 6÷30% GF

PIGNONS TENDEURS de chaîne en Nylon 6÷30% FV avec palier

PIÑONES PARA CADENA completos con cojinete de Nylon 6÷30% FV



COD	P	Z	A	B	C	D	E	H	F
PG08Z18T12	8 x 3	18	42,20	46,07	2,80	16	16 ^{+0,130} _{+0,260}	32	10
PG38Z15T10	3/8"x7/32"	15	49,5	45,81	5,2	16	16 ^{+0,130} _{+0,260}	40	18
PG38Z15T16	3/8"x7/32"	15	49,50	45,81	5,30	16	16 ^{+0,01} _{+0,00}	40	18
PG38Z15T162	3/8"x7/32"	15	49,50	45,81	5,30	16	16 ^{+0,130} _{+0,260}	40	18
PG38Z21T10	3/8"x7/32"	21	67,60	63,91	5,30	16	10 ^{+0,01} _{+0,00}	30	9
PG38Z21T16	3/8"x7/32"	21	67,60	63,91	5,30	16	16 ^{+0,01} _{+0,00}	40	18
PG38Z21T162	3/8"x7/32"	21	67,60	63,91	5,30	16	16 ^{+0,130} _{+0,260}	40	18
PG12Z13T12	1/2"x5/16"	13	57,90	53,06	7,20	16	12 ^{+0,01} _{+0,00}	32	10
PG12Z16T10	1/2"x5/16"	13	69,90	65,10	7,20	16	10 ^{+0,01} _{+0,00}	30	9
PG12Z16T16	1/2"x5/16"	16	69,90	65,10	7,20	16	16 ^{+0,01} _{+0,00}	40	18
PG12Z16T162	1/2"x5/16"	16	69,90	65,10	7,20	16	16 ^{+0,130} _{+0,260}	40	18
PG12Z16T17	1/2"x5/16"	16	69,90	65,10	7,20	16	17 ^{+0,01} _{+0,00}	40	12
PG12Z17T10	1/2"x5/16"	17	74,00	69,11	7,2	16	10 ^{+0,01} _{+0,00}	40	18
PG12Z17T16	1/2"x5/16"	17	74,00	69,11	7,20	16	16 ^{+0,01} _{+0,00}	40	18
PG12Z17T162	1/2"x5/16"	17	74,00	69,11	7,20	16	16 ^{+0,130} _{+0,260}	40	18
PG12Z17T12	1/2"x5/16"	17	74,00	69,11	7,20	16	12 ^{+0,01} _{+0,00}	32	10
PG12Z18T16	1/2"x5/16"	18	78,00	73,14	7,20	16	16 ^{+0,01} _{+0,00}	40	18
PG12Z18T162	1/2"x5/16"	18	78,00	73,14	7,20	16	16 ^{+0,130} _{+0,260}	40	18
PG58Z15T12	5/8"x3/8"	15	83,20	73,36	9,10	16	12 ^{+0,01} _{+0,00}	32	10
PG58Z15T16	5/8"x3/8"	15	83,20	73,36	9,10	16	16 ^{+0,01} _{+0,00}	40	18
PG58Z15T162	5/8"x3/8"	15	83,20	73,36	9,10	16	16 ^{+0,130} _{+0,260}	40	18
PG58Z17T12	5/8"x3/8"	17	93,30	86,39	9,10	16	12 ^{+0,01} _{+0,00}	32	10
PG58Z17T16	5/8"x3/8"	17	93,30	86,39	9,10	16	16 ^{+0,01} _{+0,00}	40	18
PG58Z17T162	5/8"x3/8"	17	93,30	86,39	9,10	16	16 ^{+0,130} _{+0,260}	40	18
PG34Z13T16	3/4"x7/16"	13	87,8	79,59	10,8	16	16 ^{+0,01} _{+0,00}	40	18
PG34Z13T162	3/4"x7/16"	13	87,8	79,59	10,8	16	16 ^{+0,130} _{+0,260}	40	18
PG34Z15T16	3/4"x7/16"	15	99,80	91,63	10,8	16	16 ^{+0,010} _{+0,000}	40	18
PG1Z15T20	1"x17,02"	15	133,7	122,17	16,2	18	20 ^{+0,130} _{+0,00}	47	18